

Rondo XPRESS® Drywall Grid Ceiling System

Seismic Design Form

Date _____
 Contractor Name _____
 Project Name _____
 Project Stage _____

Building Data

Country _____ Location _____
 Building Importance Level 2 3 4
Note: For New Zealand, importance Level 5 buildings require a specific design. Contact your Rondo Technical Representative for details.
 Site Sub-Soil Class
 A/Ae (Strong Rock)
 B/Be (Rock)
 C/Ce (Shallow Soil - Most Conservative)
 D/De (Deep or Soft Soil)
 E/Ee (Very Soft Soil)

Imposed Load

Lining Type _____
 Number of Layers 1 2 3
 Insulation _____ kg/m²
 Other _____ kg/m²
 Total Lining Weight _____ kg/m²

Service Load Data

Service Load [U] _____ kg/m²
(min 3.0 kg/m²)

XPRESS® Installation Details

Grid Type A B
(Refer to Page 2)

Suspension Method

- ø2.5mm wire through MT bulb/head
- ø2.5mm wire through MT web
- Using a DXCL clip to MT
- Using a DXDF strap to MT

Main Tee XD1 XD1H XD3 XD3H

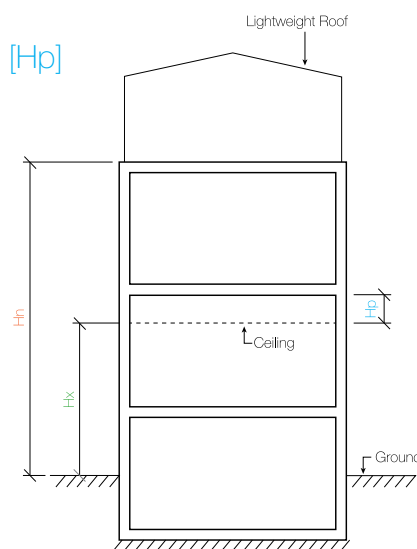
Cross Tee XD2 XD4

Geometry Data

Total Height of Structure [Hn] _____ m
 Height of Ceiling Above Base [Hx] _____ m
 Ceiling Angle [α] _____ °

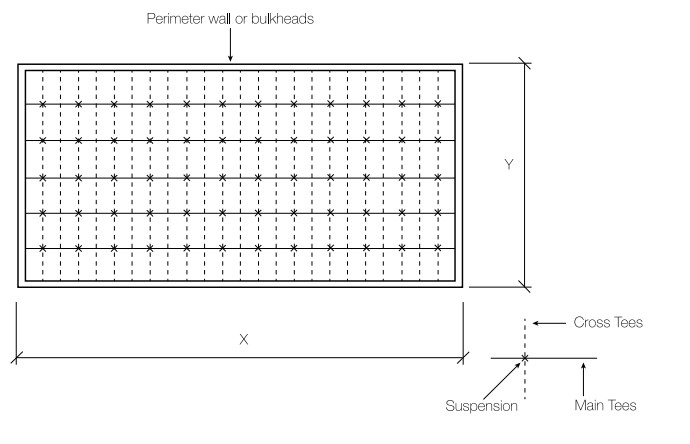
Max Plenum Height [Hp]

- 0.300m
- 0.400m
- 0.500m
- 0.600m
- 0.700m
- 0.800m
- 0.900m
- 1.000m
- 1.100m
- 1.200m
- 1.500m
- 1.700m



Room Dimensions

Width Parallel to Main-Tees [X] _____ m
 Width Parallel to Cross-Tees [Y] _____ m

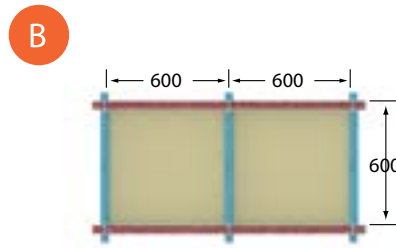
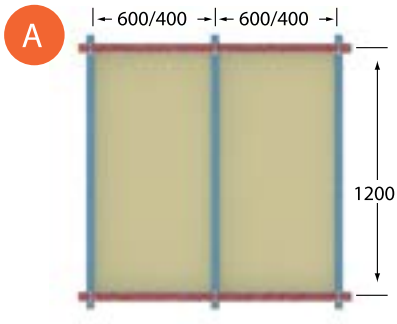


RONDO®

www.rondoglobal.com

Please email the completed form to your Rondo Technical Representative or rondo@rondo.com.au

XPRESS® Grid Type



RONDO®
www.rondoglobal.com

Please email the completed form to your Rondo Technical Representative or rondo@rondo.com.au